

## Duo T

Lampada da terra. Diffusori in policarbonato colore anice. I diffusori ruotano di 360° permettendo di orientare il fascio luminoso. Struttura in alluminio estruso e metallo verniciato grigio gofrato ral 9006. Particolari in policarbonato trasparente e metallo cromato. Base in metallo verniciato antracite gofrato. **Versione LED equipaggiata con led smd e alimentatore elettronico incorporato.**

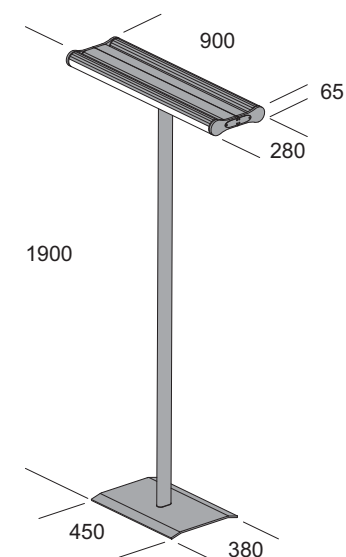
Floor lamp. Diffusers in made polycarbonate colour anise. Diffusers rotate on 360 degree permitting to orientate the luminous beam. Structure made in extruded aluminium and painted metal colour embossed grey ral 9006. Details made in transparent polycarbonate and chrome metal plated. Base realised in painted metal colour embossed anthracite. **LED version equipped with smd led and electronic driver included.**

Lampadaire. Diffuseurs in polycarbonate couleur anis. Les diffuseurs tournent de 360 degré permettant d'orienter le flux lumineux. Structure réalisée en extrusion d'aluminium et en métal vernie gris gaufré ral 9006. Détails en polycarbonate transparent et métal chromé. Base en métal couleur anthracite gaufré. **Version LED équipée avec led smd et ballast électronique incorporé.**

Lámpara de pie. Difusor de policarbonato color anís. El difusor gira en 360° permitiendo orientar el rayo luminoso. Estructura en aluminio extrudido y en metallo pintado gris rugoso ral 9006. Detalles de policarbonato transparente y metal cromado. Base de metal color antracita rugoso. **Version LED suministrada con led smd y alimentador electrónico incluido.**

Stehlampe. Diffusoren aus anisfarbenem Polycarbonat. Die Diffusoren drehen sich um 360° und ermöglichen somit die Ausrichtung der Lichtstrahl. Struktur aus Aluminium extrusion und aus gaufriert grau lackiertem Metall Ral 9006. Einzelteile aus transparentem Polycarbonat und verchromtem Metall. Basis aus Metall mit gaufriert anthrazitfarbener Lackierung. **Ausführung LED zum led smd und integriert Versorgungsgerät elektronisch.**

## Duo/T



### Colore struttura Structure color

Articolo Item	GR	W <sub>max</sub>		LUMEN		LUMEN/W	
	Codice Code						
● Led duo/T led-W	81636	68,8	led	9380	IP20	⊕	136 A
● Led EM duo/T EM led-W	81656	68,8	led	9380	IP20	⊕	136 A
● Led duo/T led-N	81646	68,8	led	9380	IP20	⊕	136 A
● Led EM duo/T EM led-N	81666	68,8	led	9380	IP20	⊕	136 A
EL duo/T	81446	4x39	G5	14000	IP20	⊕	90 A
EM duo/T EM	81466	4x39	G5	14000	IP20	⊕	90 A

### Colore struttura Structure color

**GR RAL 9006**  
Grigio gofrato Embossed grey

● Nuova versione New version

**Led** Equipaggiata con led 3000K - Equipped with led 3000K

**Led** Equipaggiata con led 4000K - Equipped with led 4000K

**Led EM** **Led EM** **EM** Emergenza (SA) 1h di serie – 3h a richiesta  
Emergency 1h standard – 3h on request

